

功能操作 Function operation



1. 扣住开关可上下调节扶手高度，松掉开关可将扶手停留在当前高度。

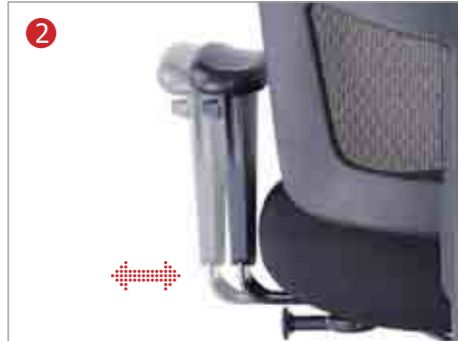
Press the button to adjust the height of the armrest, loosen the button to stop the armrest on the current position.

2. 调节旋钮可将扶手向外平移调节座宽

By turning the knob, the armrests can be adjusted outward to achieve different seat width.

3. 向上提拉背框，可调节椅背高度。当提到最高处时，椅背可自然下降到初始位置。

Pull the backrest upward to adjust the height of the backrest. The backrest will return to its initial position when pull it to the highest position.



4. 扳动手柄可升降座垫高度，拉动手柄可实现背部倾仰。

Pull the handle to adjust the height of the seat cushion. Pull the handle to adjust the back tilt.

5. 根据使用者体重，调节旋钮可调整后仰弹力。

Turn the knob to adjust the strength of the tilting according to the user's weight.



6. 转动手柄可调节座板角度由前倾1.5° 至后仰2.5°

Lever for seat angle adjustment (-1.5° ~2.5°).

7. 调节手柄可控制座板一定范围内摆动/锁定。

Lever for tilting/locking of seat at certain degree.

8. 扳动手柄可升降座垫高度。

Pull the handle to adjust the height of the seat cushion.

9. 扳动手柄可打开和锁定后仰角度。

Pull the handle to adjust tilting angle and lock the tilting mechanism.

10. 扳动手柄可调节座垫前后位置。

Pull the handle to adjust the seat forward and backward.

D00213





D00213DS

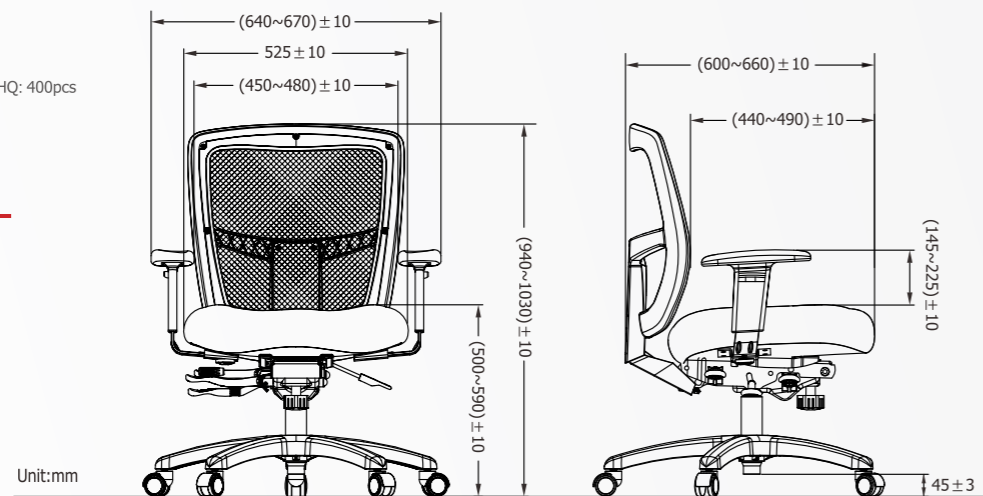


D00213S

包装尺寸 Packing size

D00213DS
 Carton size: 32"L*12-3/4"W*26"H CBM:0.174
 Net weight: 23.2 KG Gross weight: 26.4 KG
 Container Loading: 20GP: 170pcs; 40GP: 348pcs; 40HQ: 400pcs

面料颜色 Color Swatch



D00213S
 Carton size: 27-1/4"L*14-3/4"W*26"H CBM:0.171
 Net weight: 19.4 KG Gross weight: 22.5 KG
 Container Loading: 20GP: 168pcs; 40GP: 357pcs; 40HQ: 408pcs

